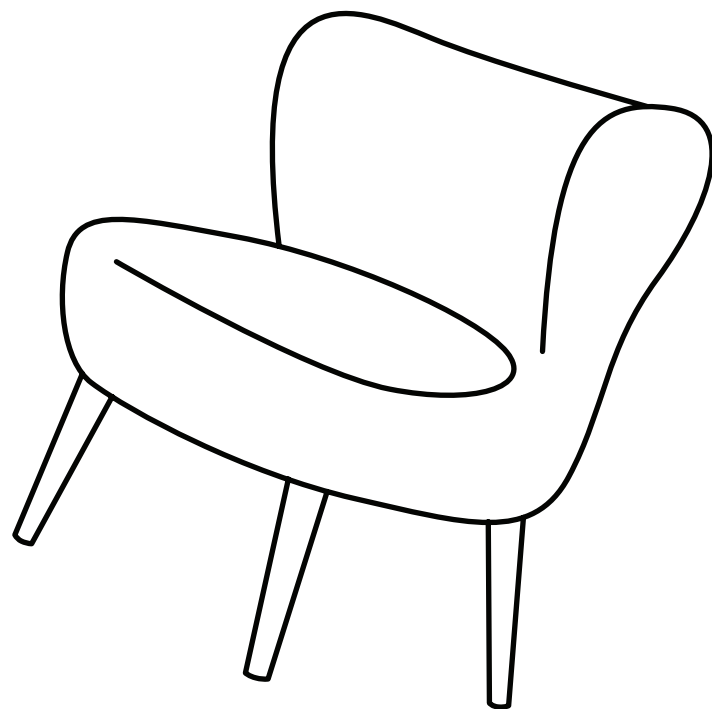
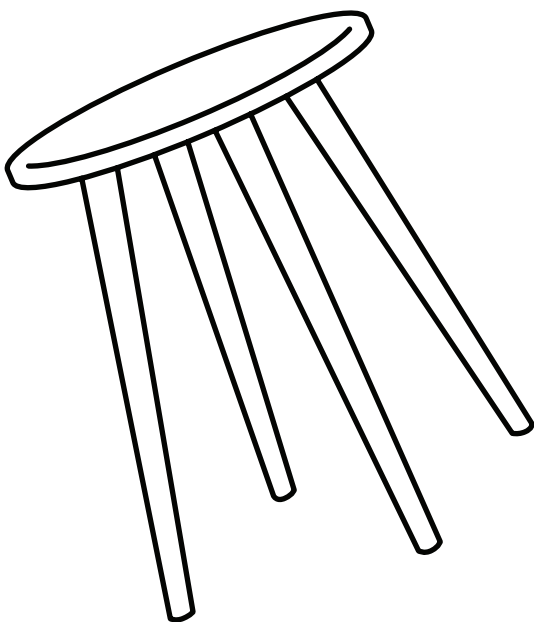


# Hello, I've arrived!

Now that I'm here you are only one  
flat-pack away from transforming  
your home.



**Mocka.**

# Thank you for supporting us.

We believe design belongs to everyone. From materials and processes to safety testing, production and delivery, we are passionate and committed to bringing you the best possible product so you can create beautifully functional spaces to feel comfortably you.

## Here are a few assembly tips before you get started:



### Make Time

The first step to all seamless assembly is taking a moment to carefully read through the instructions—you are already on your way to creating a beautifully functional space!



### Set The Mood

Put on your favourite playlist, order that pizza and pour yourself a drink to get in the mood!



### Tool Check

Layout the instructions, screws and panels to check you have everything you need. A blanket or soft floor rug will help protect your new favourite item from scratches and a drill will speed up the assembly too!



### Room Reveal

You did it! Take a step back and enjoy the moment. Don't forget to recycle any packaging and share a pic of your room reveal—we love seeing how you transform your home! **Tag us @mockaaustralia/@mockaanz**

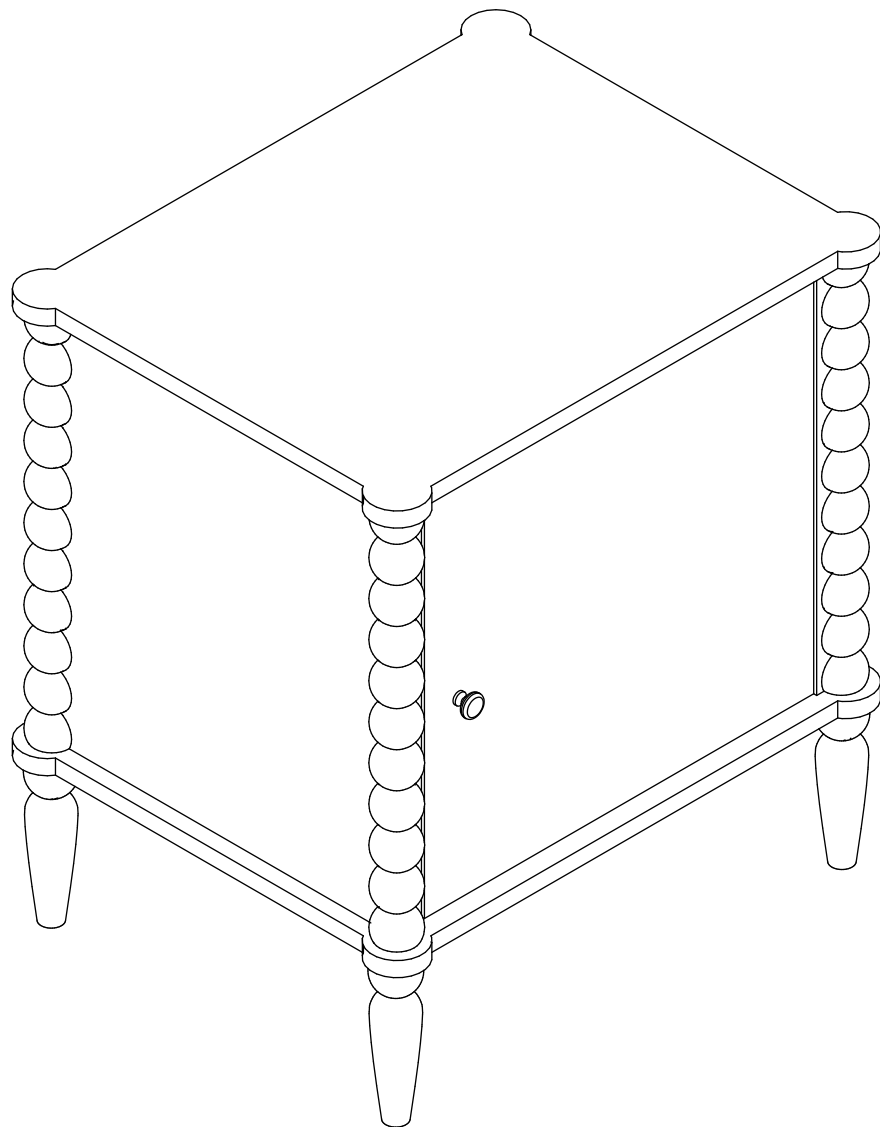
Happy flat-packing!

*The Mokka Team*

# Betti Bobbin

## Bedside Table

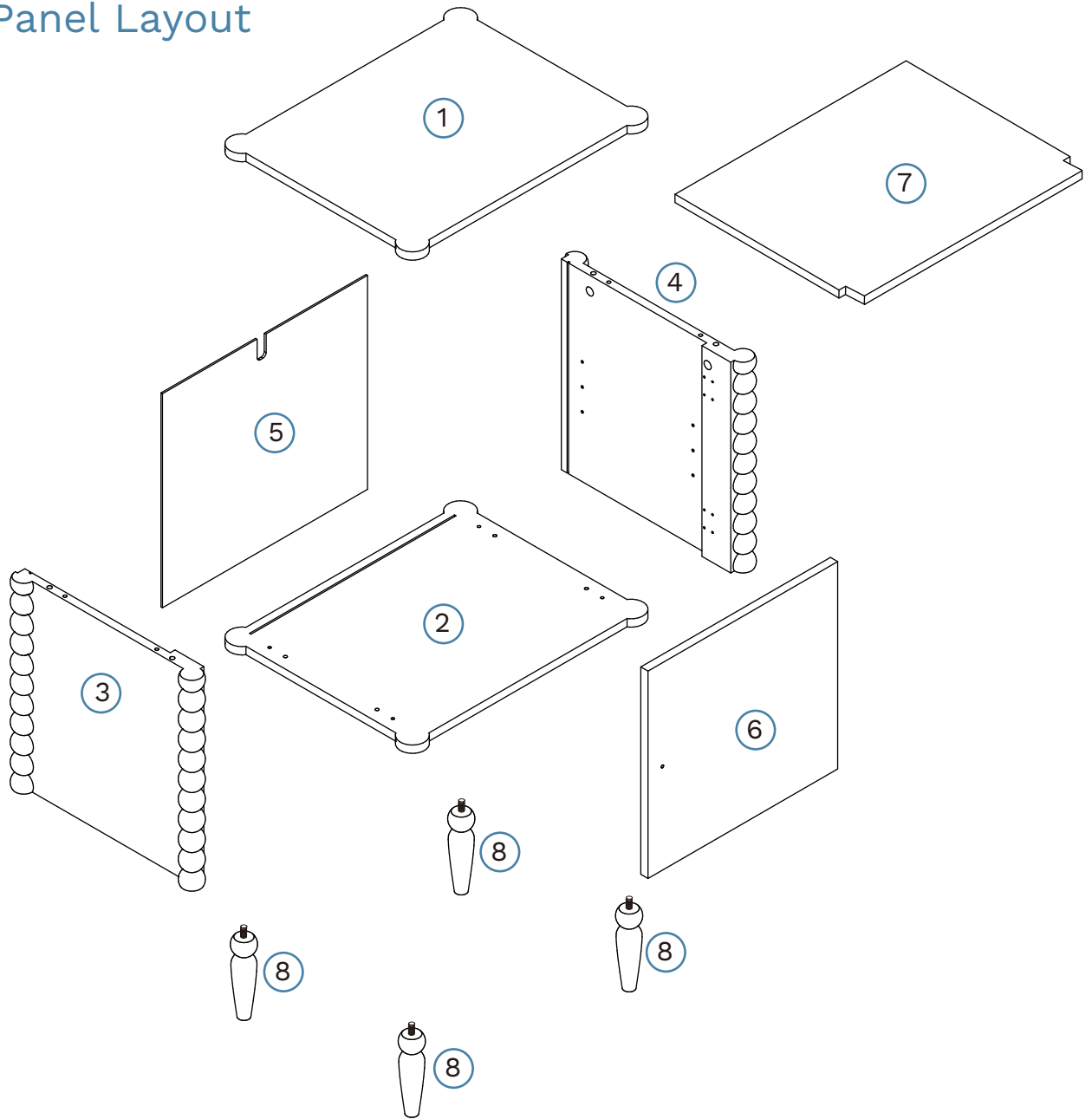
Thank you for your purchase. Please follow the instructions for correct assembly. While we took great effort to ensure these assembly instructions were correct at the time of printing, sometimes updates are required post production. For the most up to date versions please refer to the product page on our website. [mocka.com.au/mocka.co.nz](http://mocka.com.au/mocka.co.nz)



# Betti Bobbin

Bedside Table

## Panel Layout











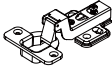





## Partlist






①	Top Panel	x1	⑤	Back Panel	x1
②	Bottom Panel	x1	⑥	Door	x1
③	Left Side Panel	x1	⑦	Shelf Panel	x1
④	Right Side Panel	x1	⑧	Leg	x4

# Betti Bobbin

## Bedside Table

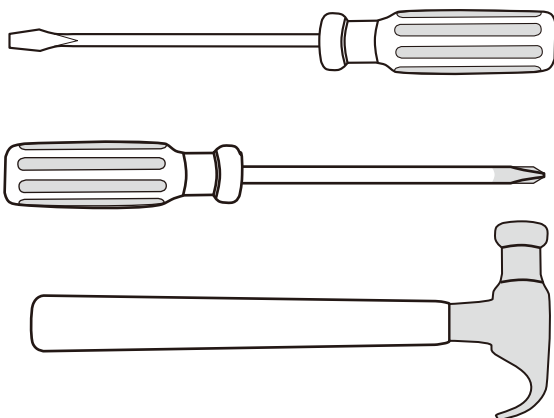
<b>A</b>	<b>B</b>	<b>C</b>	<b>D</b>	<b>E</b>	<b>F</b>	<b>G</b>
						
dowel x8	screw x4	bolt x4	locking nut x4	screw x12	screw x1	wedge x4
<b>H</b>	<b>I</b>	<b>J</b>	<b>K</b>	<b>L</b>	<b>M</b>	<b>N</b>
						
screw x4	plastic block x1	screw x2	hinge x2	handle x1	plastic glide x4	shelf plug x4

**HARDWARE SUPPLIED**

<b>V</b>	<b>W</b>	<b>X</b>	<b>Y</b>	<b>Z</b>
				
safety strap x1	screw x 1	wall anchor x 1	wall screw x 1	washer x 2

**WALL STRAP**

**WARNING:** Any furniture that is not anchored to a wall has the potential to tip over in certain circumstances, i.e. if a child attempts to climb up on the furniture or in the event of an earthquake. Accordingly, we recommend that all furniture is anchored to a wall. We supply a free safety wall anchor with all furniture sold and we recommend these are used to prevent your product tipping. The fixing device provided should fit most wall types, but please note that different wall materials may require different fixing devices from those supplied.

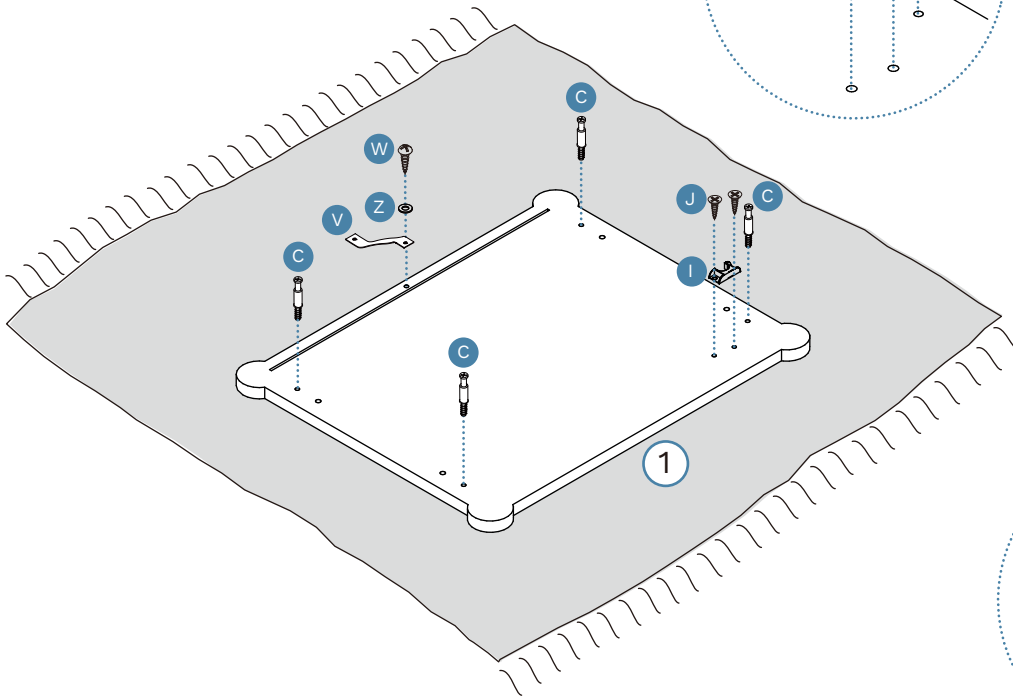


Phillips & Flathead screwdrivers  
and hammer required  
**For quicker assembly, we recommend the  
use of a power drill on a low-speed setting.**

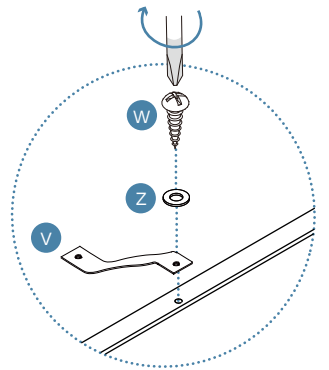
# Betti Bobbin

## Bedside Table

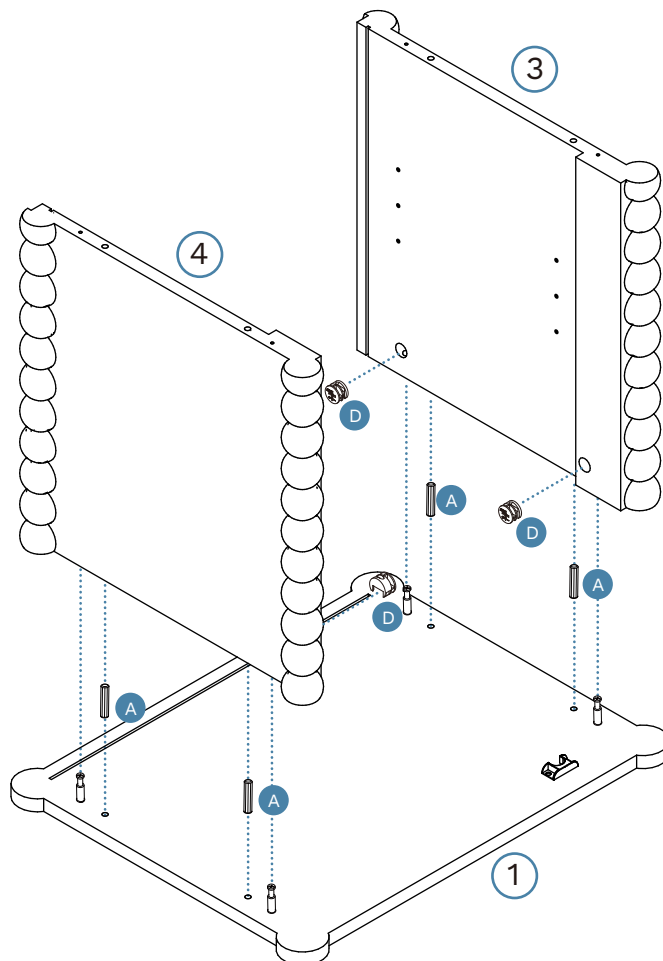
**1** \*Please assemble it on a rug or other soft surface to avoid marking.



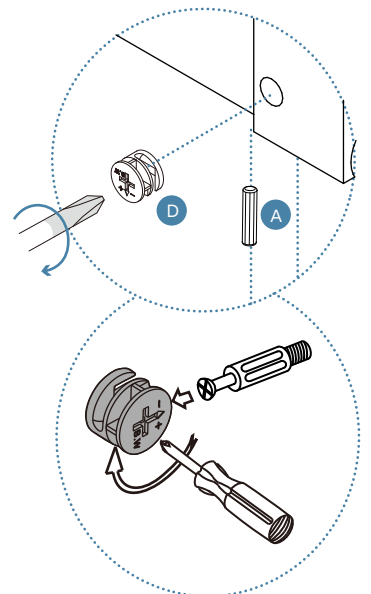
Hardware Needed		
C		x4
I		x1
J		x2
V		x1
W		x1
Z		x1



**2**



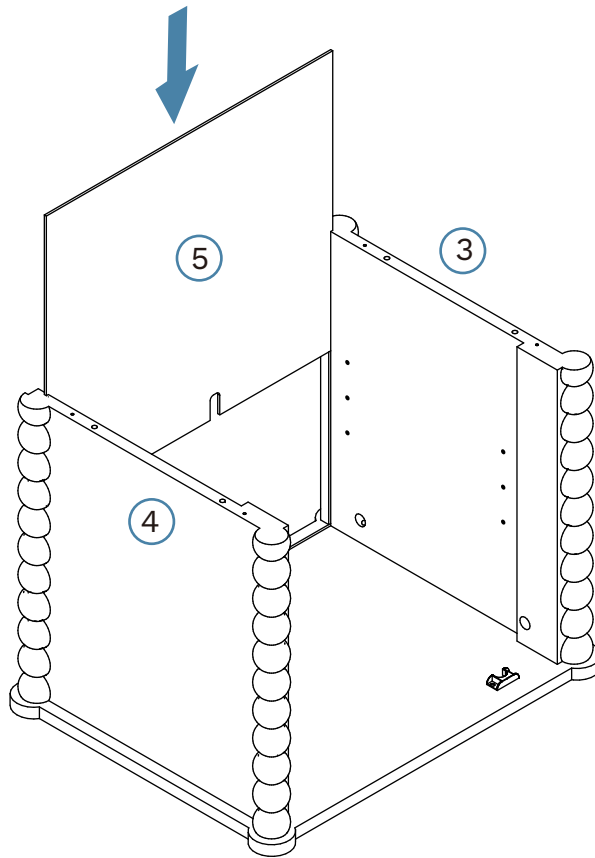
Hardware Needed		
A		x4
D		x4



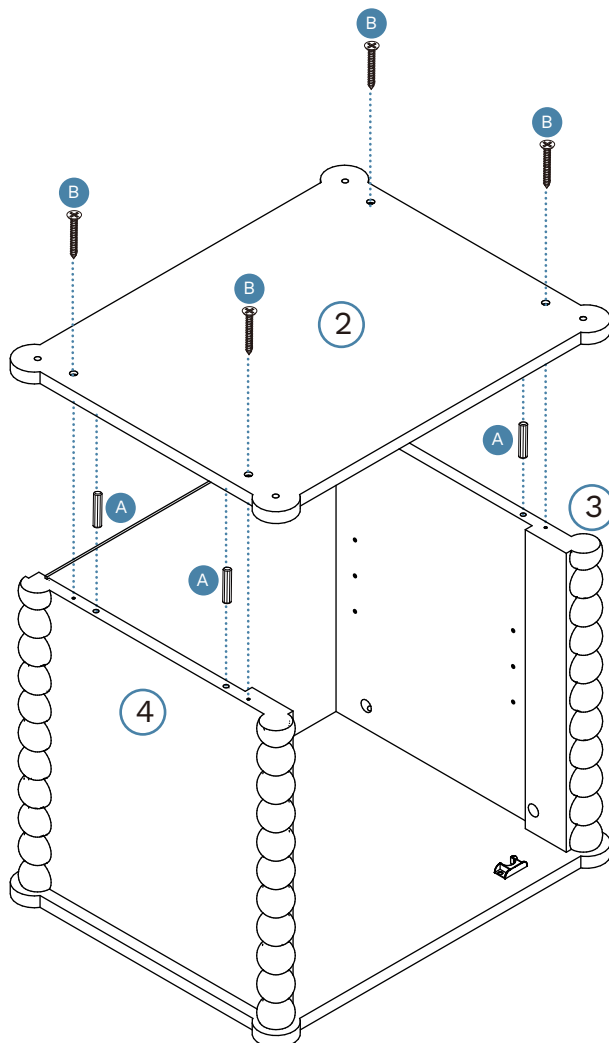
# Betti Bobbin

Bedside Table

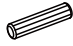

3

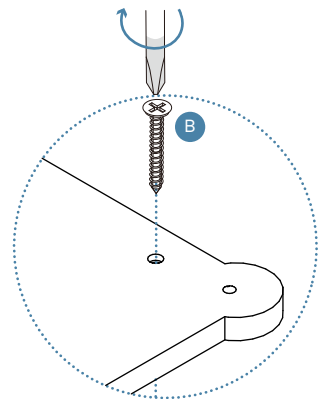


4



### Hardware Needed

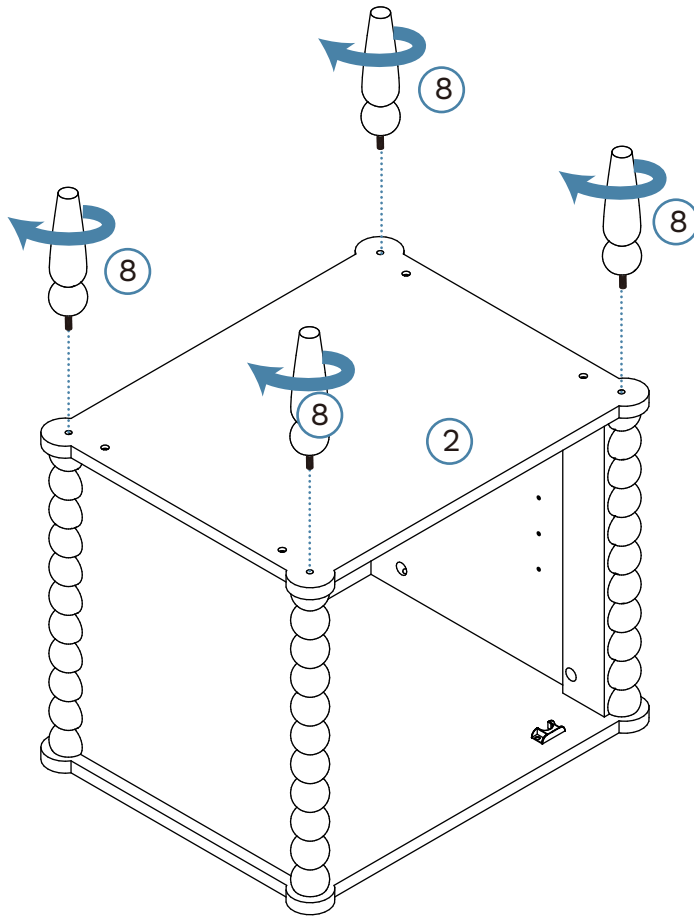
A		x4
B		x4



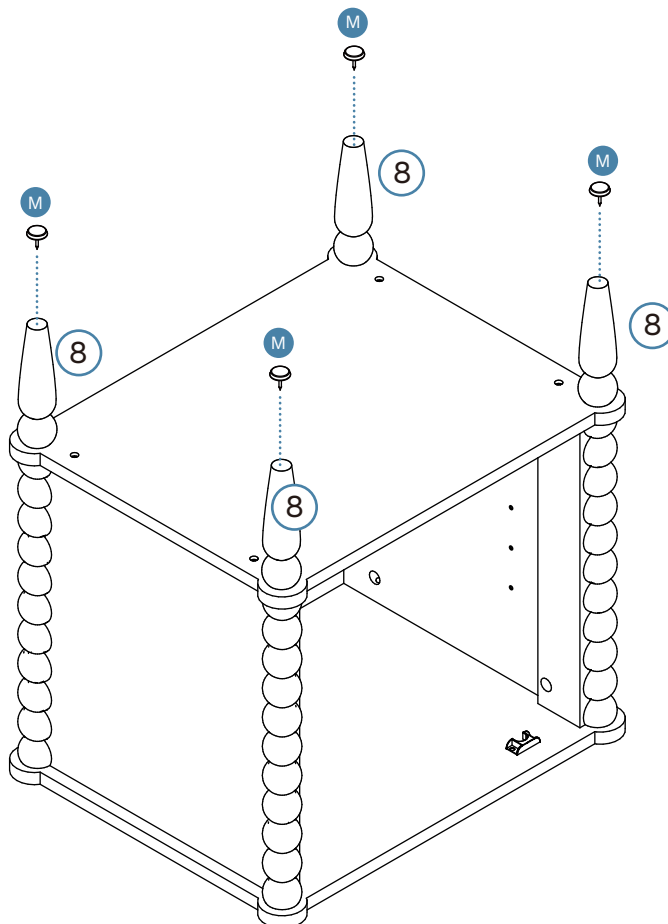
# Betti Bobbin

Bedside Table

5

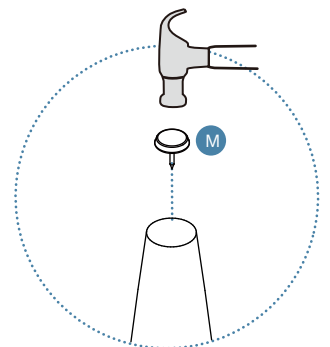


6



Hardware Needed

M		x4
---	--	----



TURN OVER

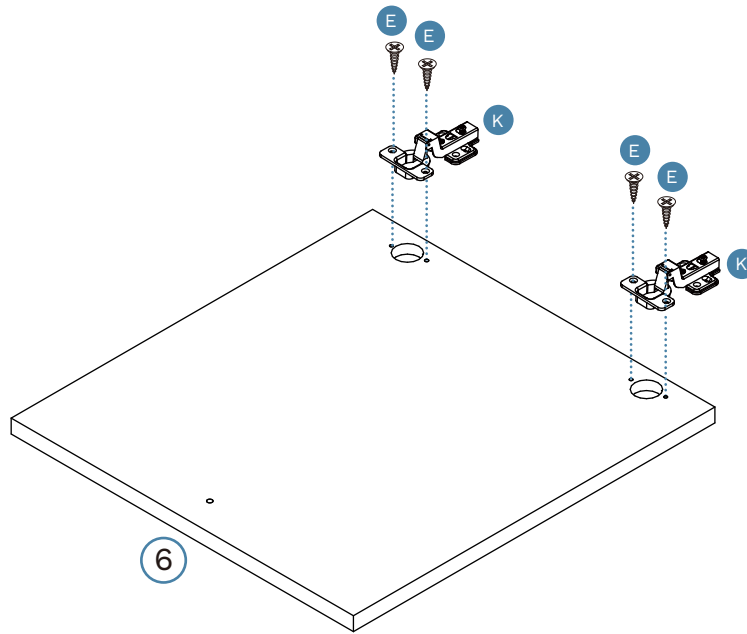
**Mocka.**



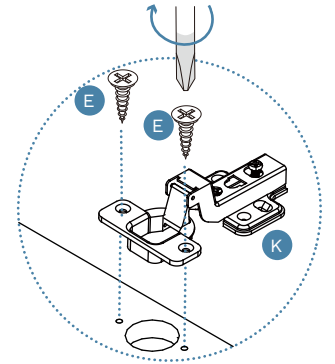
# Betti Bobbin

Bedside Table

7

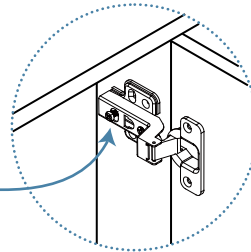


Hardware Needed		
E		x4
K		x2

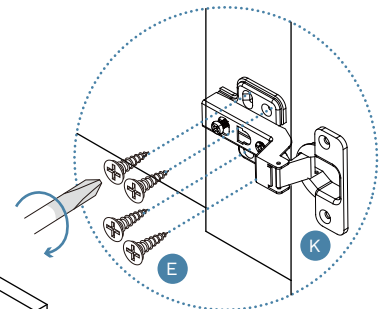
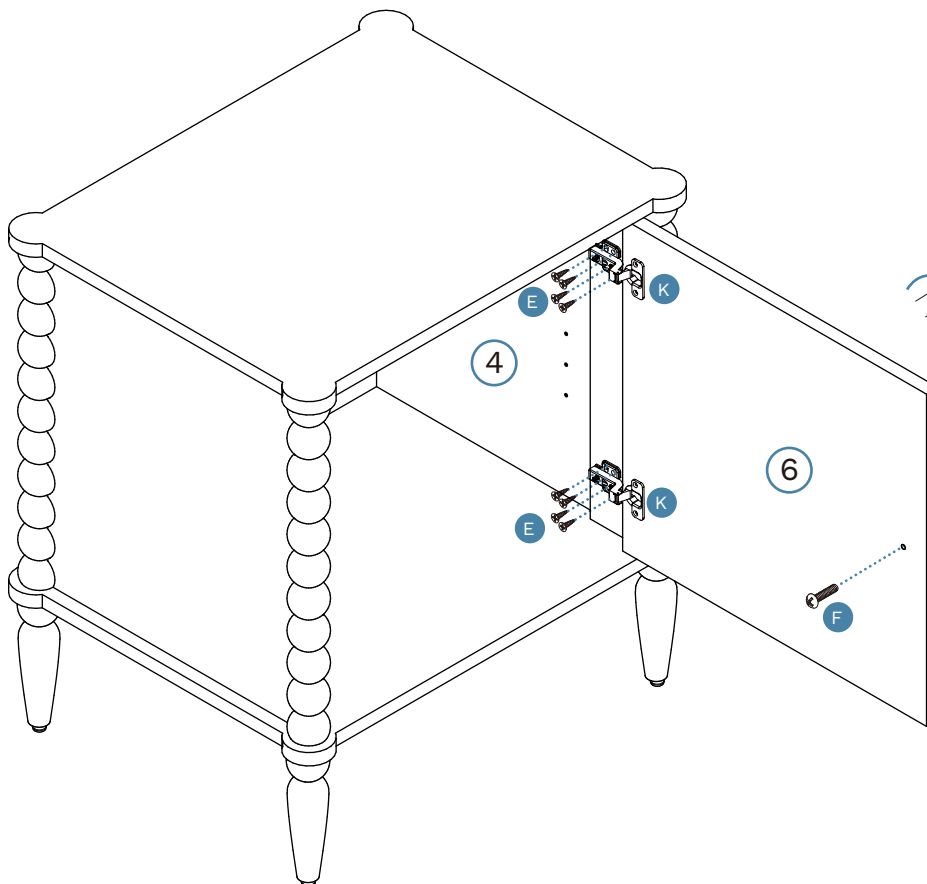


8

NOTE: If the doors are uneven or there is a gap in the middle, loosen or tighten the screw on the door hinge until they are sitting flush. See last page.



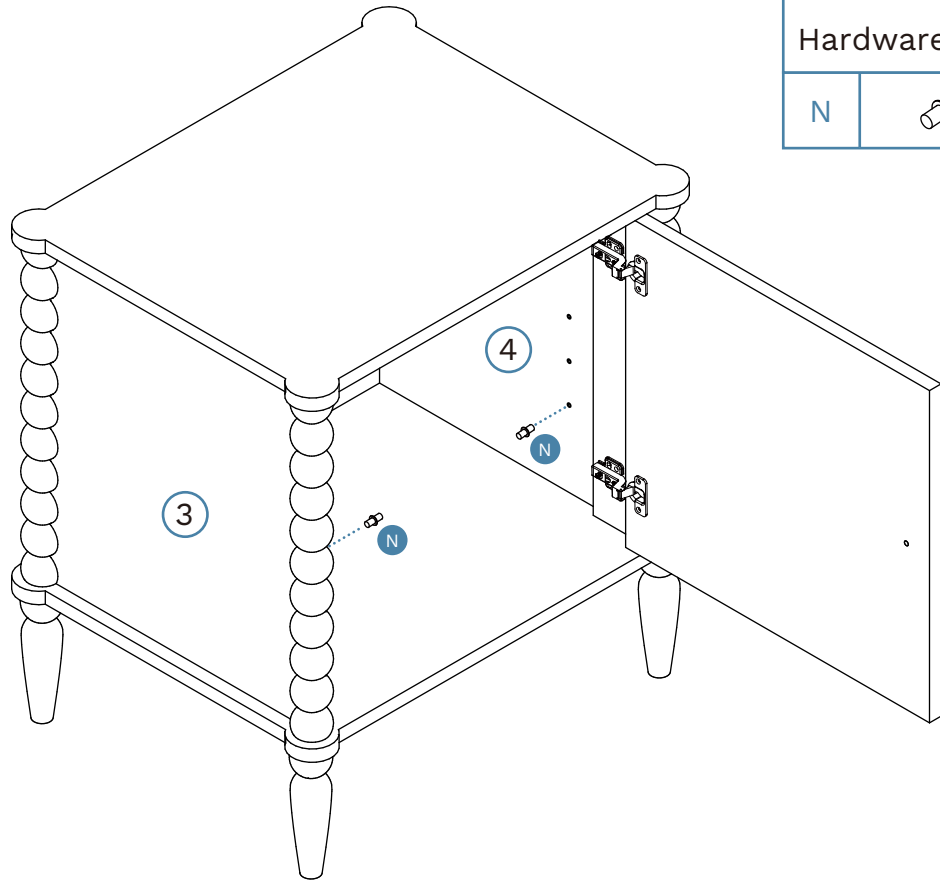
Hardware Needed		
E		x8
F		x1
L		x1



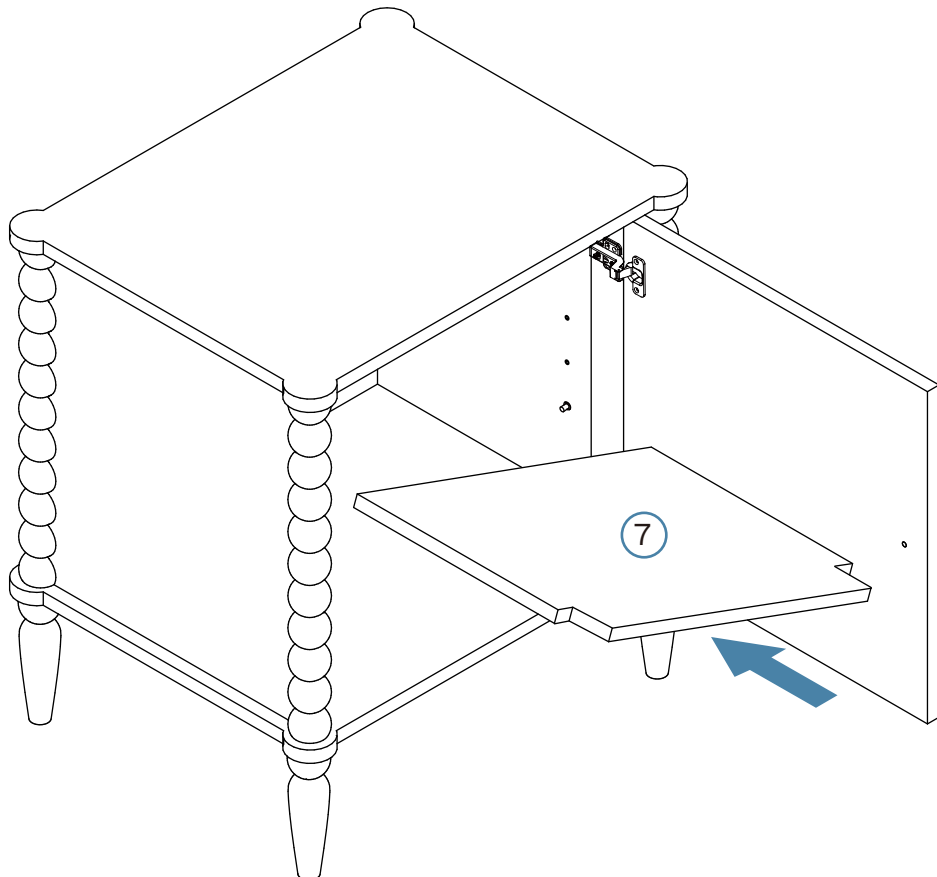
# Betti Bobbin

Bedside Table

9



10

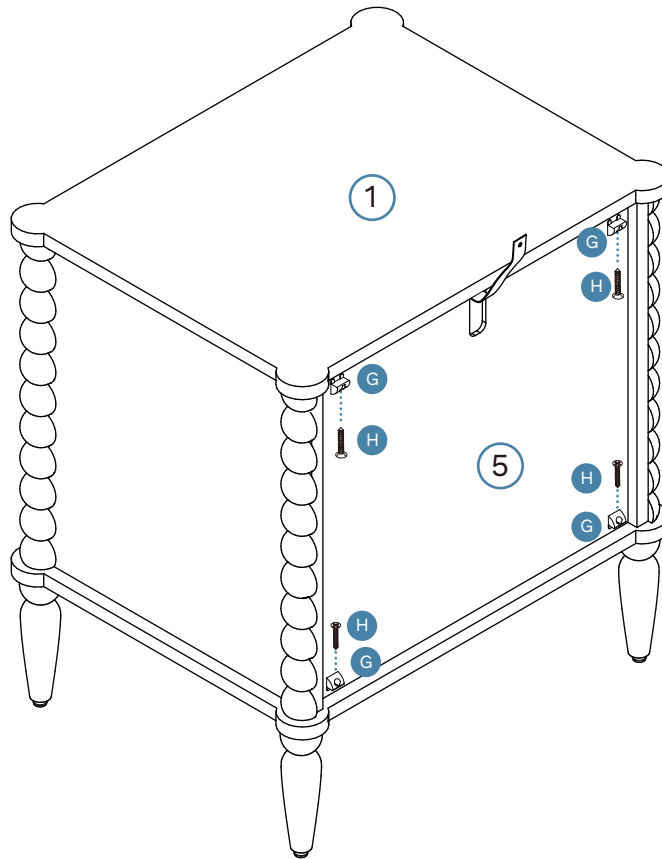


Rest the shelf panels [7] onto shelf plug (N). Ensure the shelves are balanced and stable.

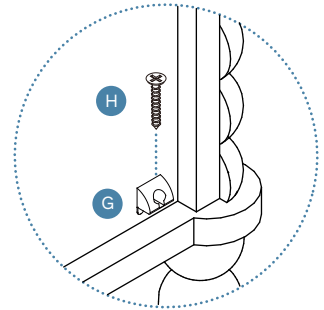
# Betti Bobbin

Bedside Table

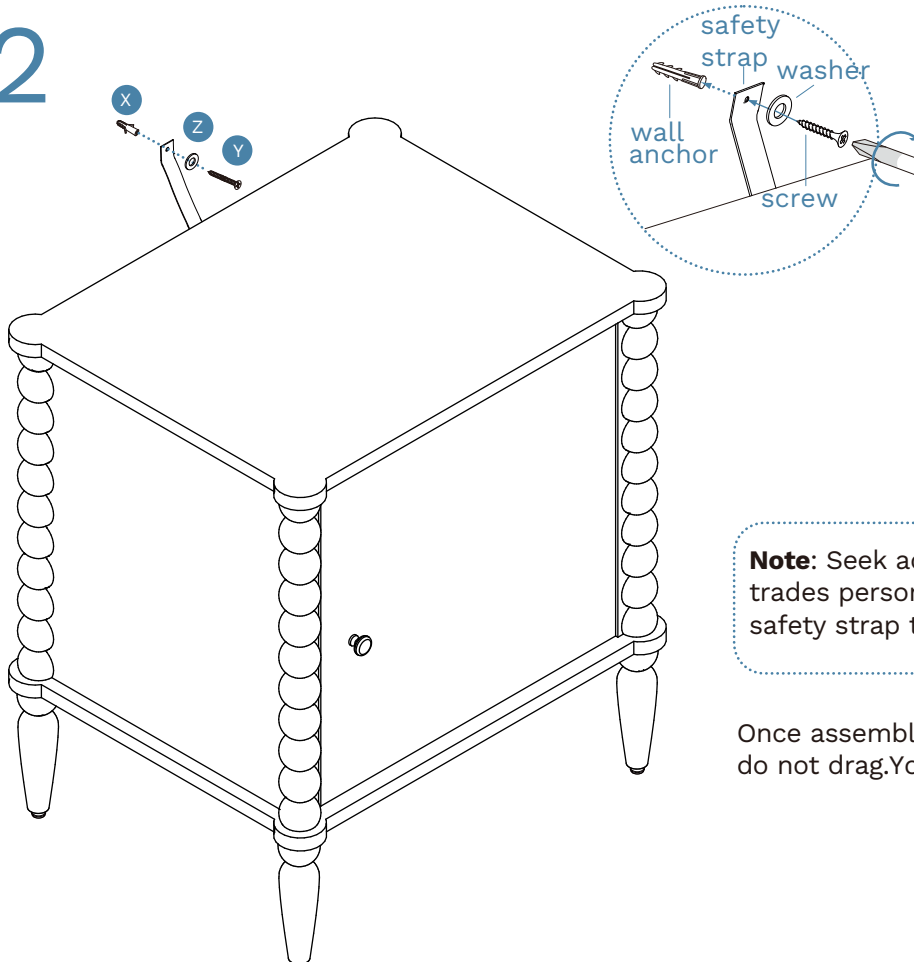
11



Hardware Needed		
G		x4
H		x4



12



Hardware Needed		
X		x1
Y		x1
Z		x1

**Note:** Seek advice from a qualified trades person on how to attach this safety strap to your specific wall.

Once assembled lift furniture into place, do not drag. You're done, enjoy!

HOW TO ADJUST THE HINGES TO ALIGN THE DOORS IF NEEDED.

ASSEMBLY INSTRUCTIONS

